

ELIE Bedside Table without door

Small | solid oak & ceramic option | H. 50 x L. 39 x l. 43 cm | H. 19.8 x W. 15.3 x D. 16.8 in  
Large | solid oak & ceramic option | H. 61 x L. 48 x l. 43 cm | H. 24 x W. 19 x D. 16.8 in



PIERRE YOVANOVITCH

MOBILIER

ELIE Bedside Table without door



P Y  
MOBILIER

ELIE Bedside Table without door



P Y  
MOBILIER





P Y

MOBILIER





WOOD ESSENCES

1. Oiled solid oak

Solid wood is a natural product that responds to changes in temperature and humidity by expanding and contracting. Variation in graining, color and texture are inherent and to be expected.



1

GLAZED CERAMIC OPTION

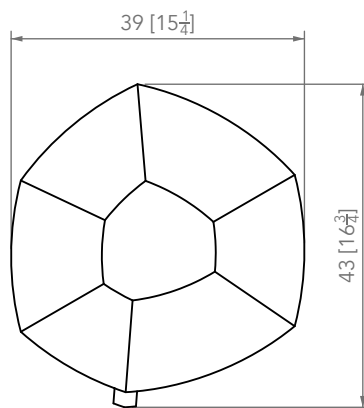
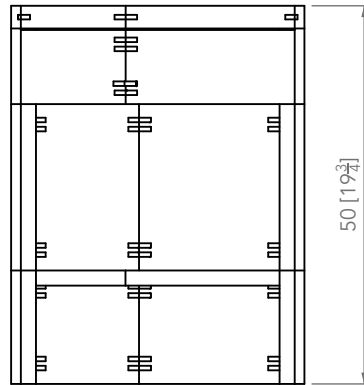
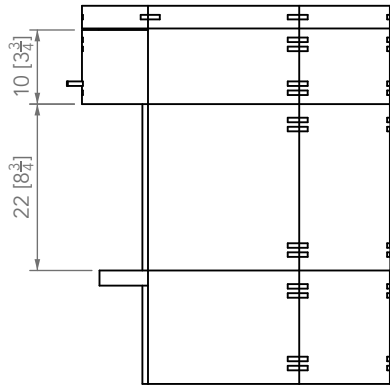
1. Comporta White

All ceramics are handmade and integrate traditional methods to texture, fire and glaze one piece at a time. Expect minor distinctions that will make each piece unique and truly one of a kind.

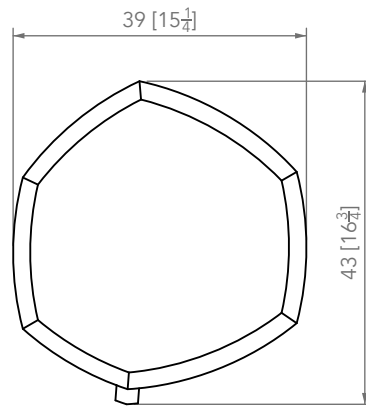
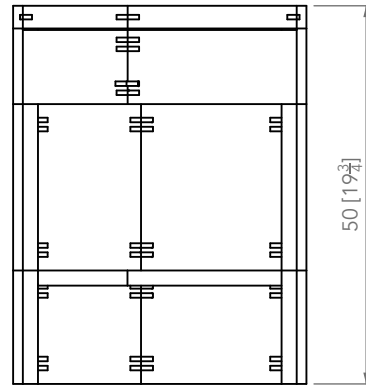
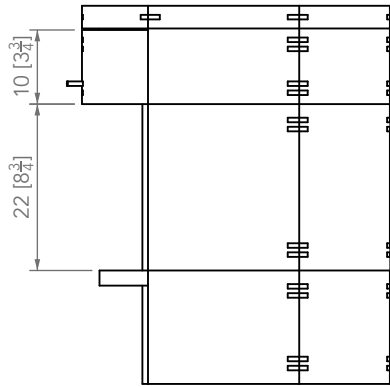


1

Small

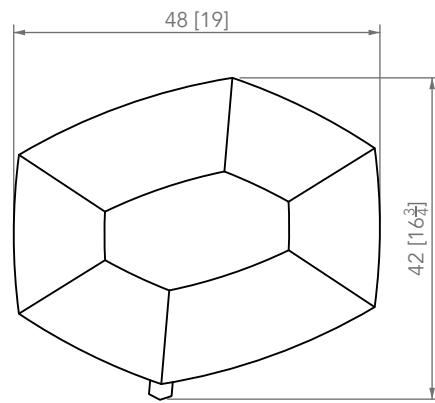
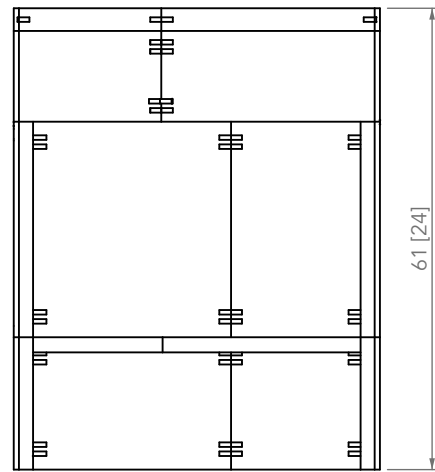
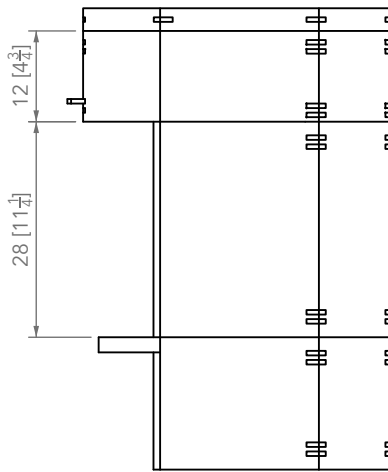


Small with ceramic top

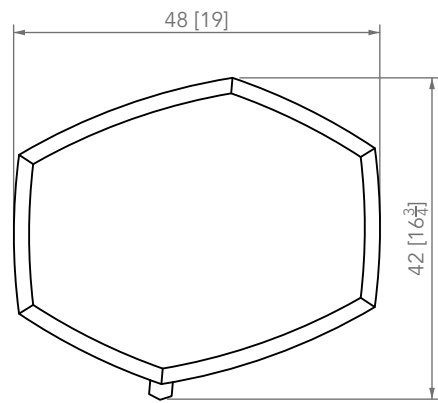
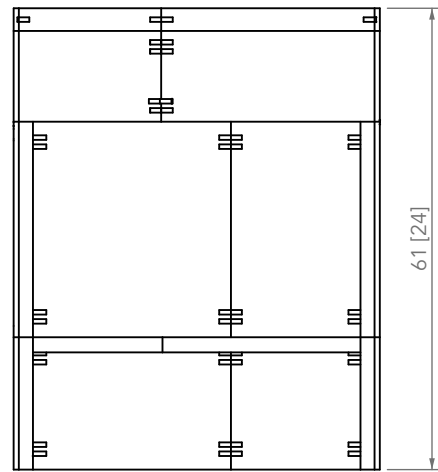
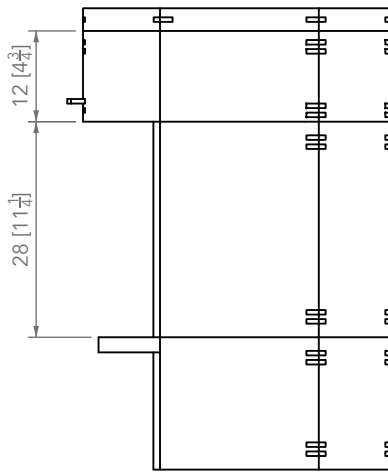




Large



Large with ceramic top



P Y

MOBILIER

PIERRE YOVANOVITCH  
MOBILIER