



PIERRE YOVANOVITCH

MOBILIER









WOOD ESSENCES

1. Oiled Solid Oak

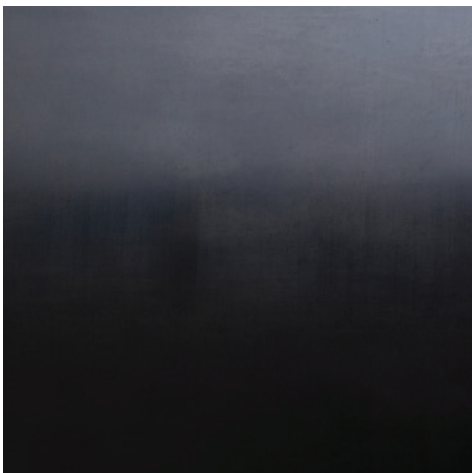
Solid wood is a natural product that responds to changes in temperature and humidity by expanding and contracting. Variation in graining, color and texture are inherent and to be expected.



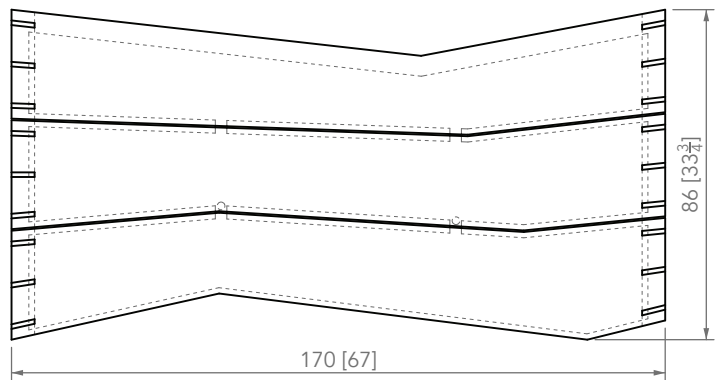
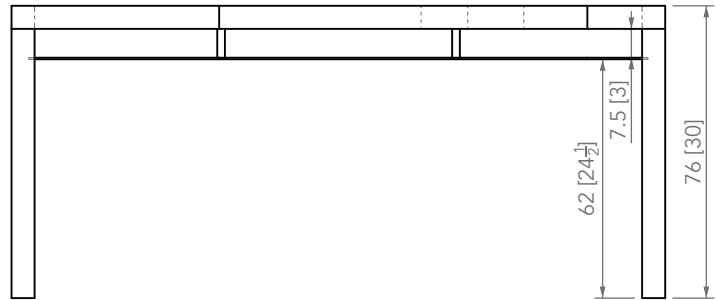
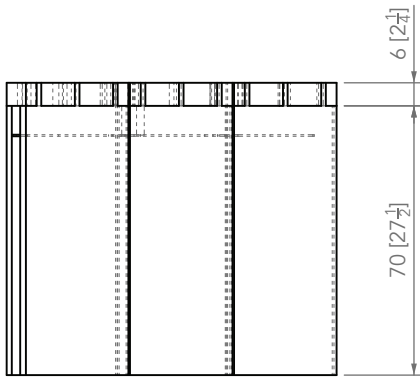
1

METAL

1. Patinated Steel



1



PIERRE YOVANOVITCH  
MOBILIER