



PIERRE YOVANOVITCH

MOBILIER











ROZY Chair

Materials

FABRIC

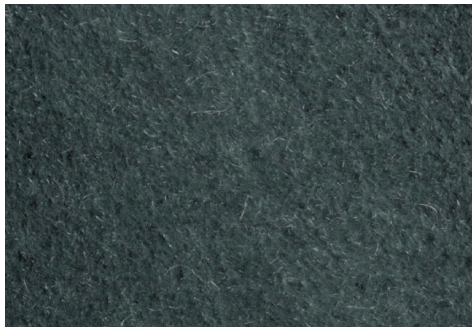
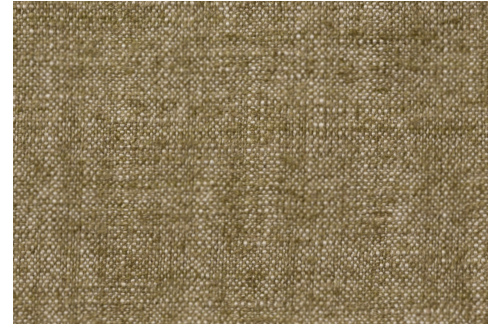
1. Saint-Malo Beige & Chiné Beige
2. Wheat Green & Chiné Green
3. Northern Green & Tosca Blue
4. Mahogany Brown & Blurred Red



1



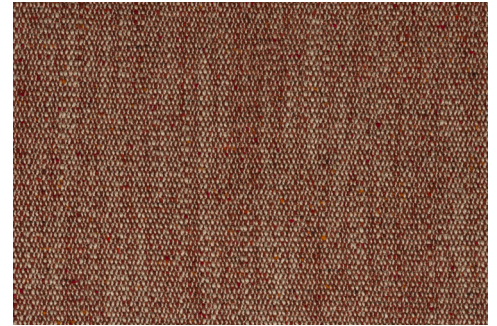
2



3



4



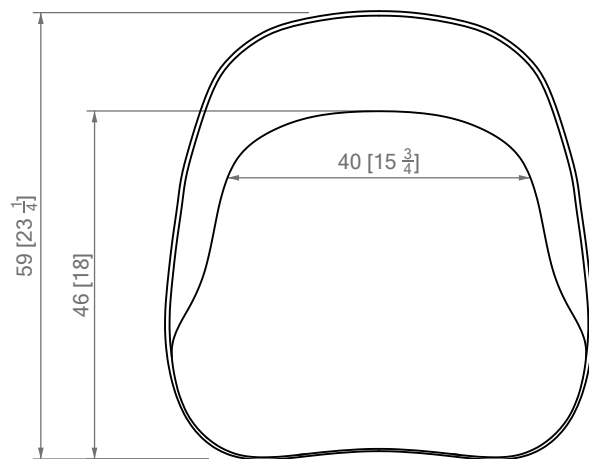
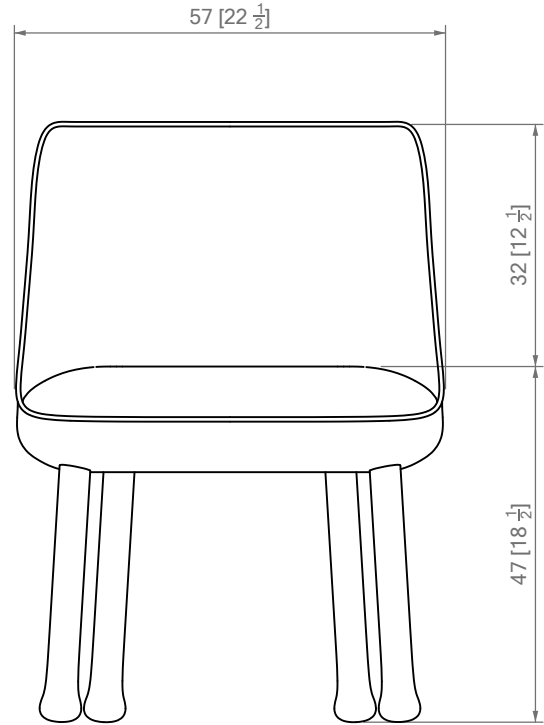
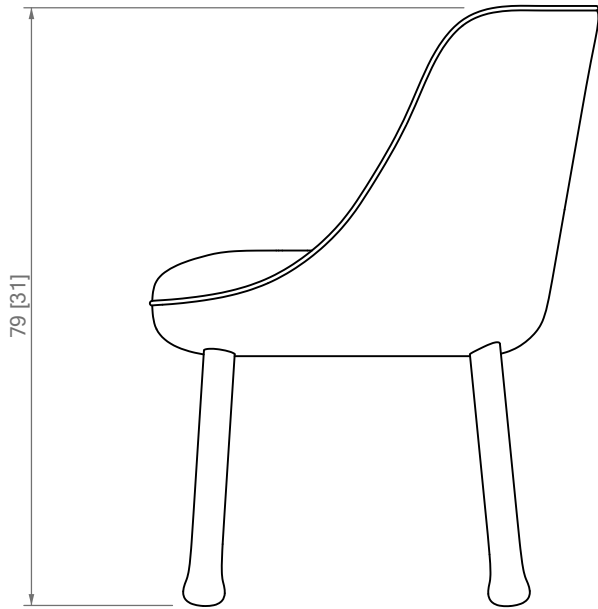
WOOD ESSENCES

1. Oiled Solid Oak

Solid wood is a natural product that responds to changes in temperature and humidity by expanding and contracting. Variation in graining, color and texture are inherent and to be expected.



1



PIERRE YOVANOVITCH
MOBILIER